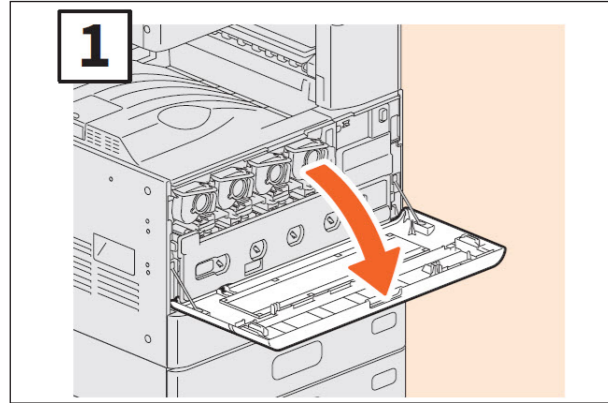
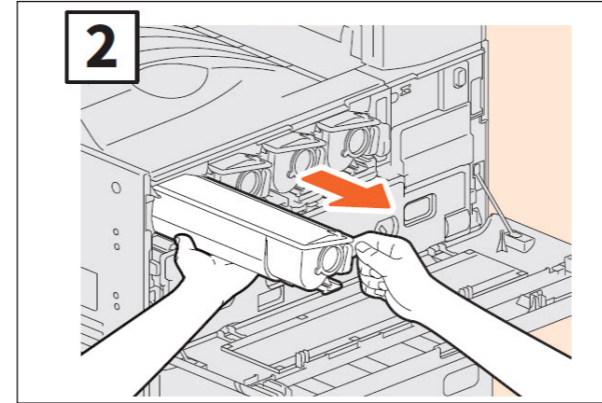


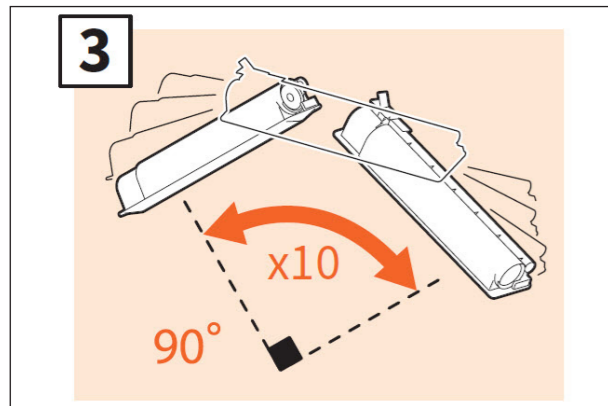
REPLACING TONER CARTRIDGE



- Open the front cover.



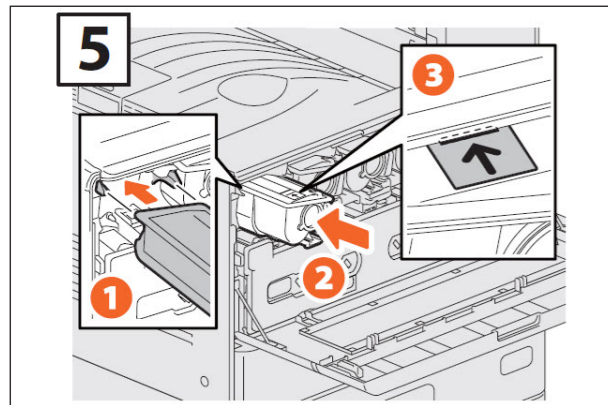
- Remove the colour toner cartridge.



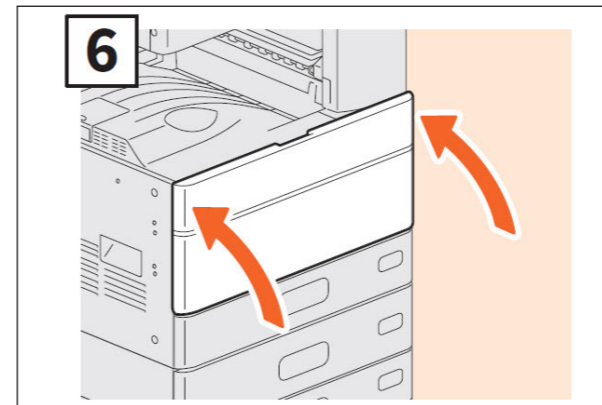
- Shake the new toner cartridge well to loosen the toner inside.



- Pull off the seal.



- Align the new toner cartridge to the guide.
- Insert it up to the black line.



- Close the front cover.