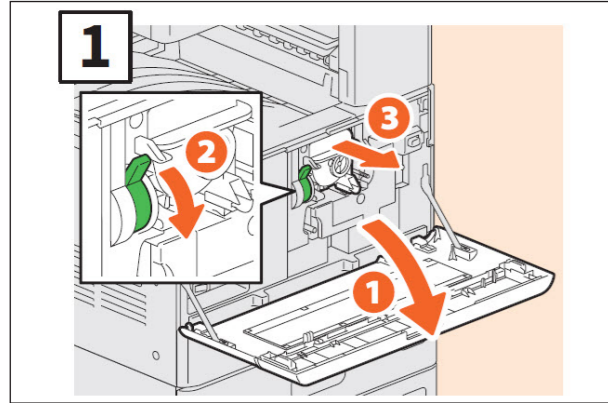
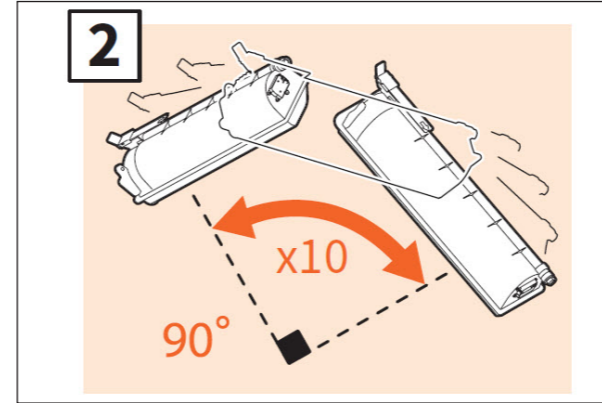


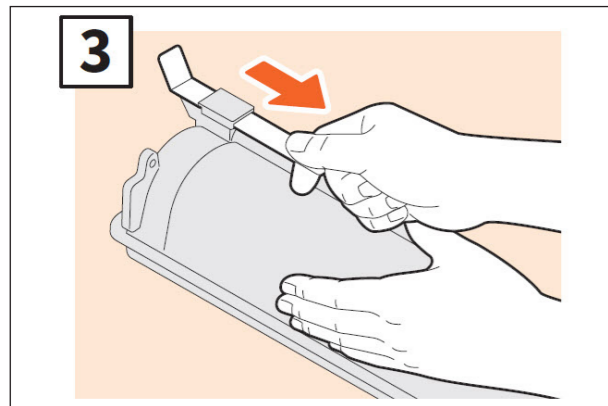
REPLACING TONER CARTRIDGE



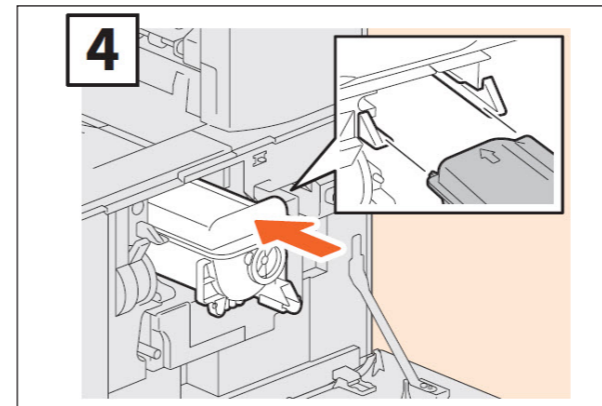
- Open the front cover.
- Hold down the lever to remove the toner cartridge.



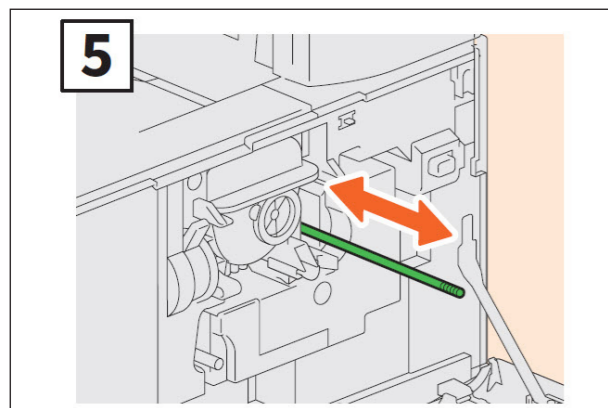
- Shake the new toner cartridge well to loosen the toner inside.



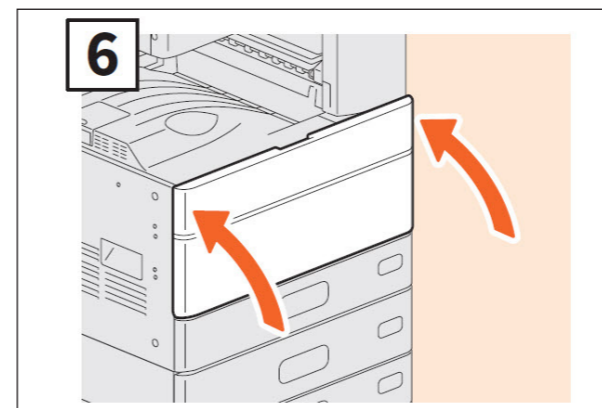
- Pull off the seal.



- Install the new toner cartridge.



- Clean the charger.



- Close the front cover.